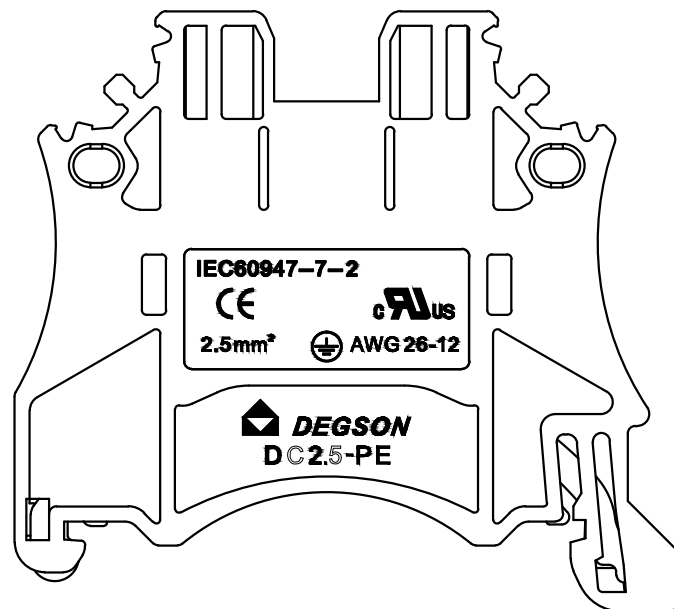
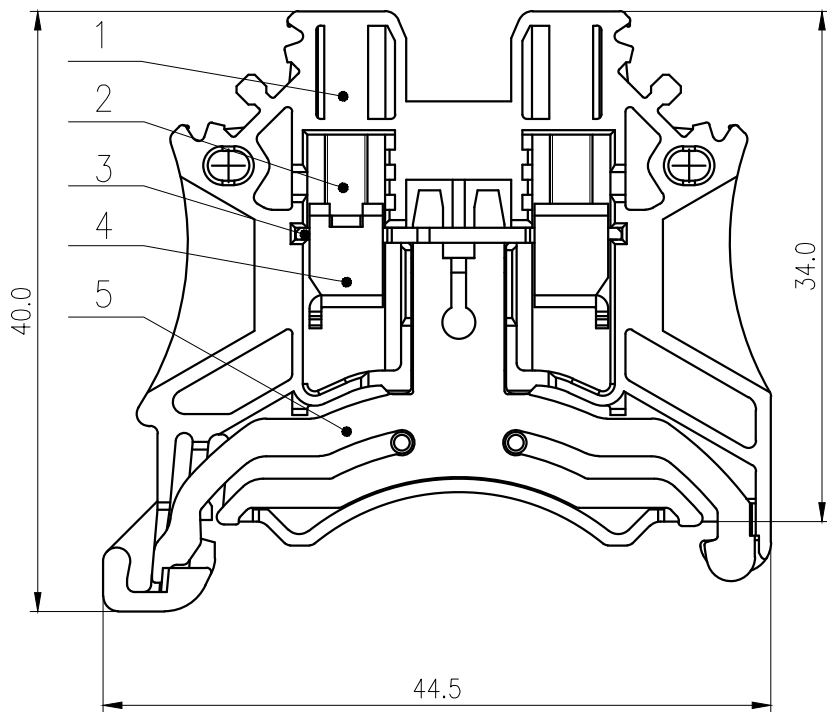
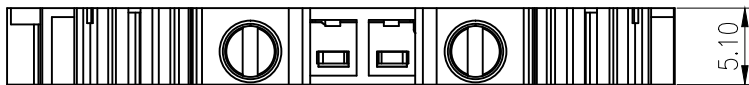


未注公差/General tolerances(mm)													0.1/10	
0	>3	>6	>10	>18	>30	>50	>80	>120	>180	>250	>315	>400		
~3	~6	~10	~18	~30	~50	~80	~120	~180	~250	~315	~400	~500	>500	
±0.12	±0.18	±0.22	±0.26	±0.31	±0.37	±0.57	±0.80	±0.93	±1.05	±1.15	±1.60	±2.20	±2.50	±2'



IEC 标准/IEC Standard:	
螺丝扭矩/Torque Tightening(N·m/Lb.in)	M2.5, 0.4/3.54
线径范围(硬线和软线)/Wire Range(rigid and flexible)(mm²/AWG)	0.2~2.5/26~12
间距/Pitch(mm)	5.10
剥线长度/Stripping length(mm)	8-9
使用温度范围/Operating temperature(°C)	-40~+105
符合RoHS环保要求/Conform to RoHS	Yes

MATERIAL: /	SURFACE: /		
MAT NO.: /	宁波高松电子有限公司 NINGBO DEGSON ELECTRICAL CO., LTD		
STATUS: /			
APPD: Li GL 2020.05.27	NAME: DC2.5-PE-01P-1C-00A(H)		
CHKD: Mao J 2020.05.27	DRAWING NO.: DC2.5-PE-C01		
DRFT: XMY 2016.01.29	REV: T0-2		T0-2
⊕	SIZE: A4	SCALE: 2:1	SHEET 1/1

ITEM	NAME OF PART	MATERIAL	NOTES
5	Grounding	Copper alloy	Sn Plated
4	Cage	Steel	Zn Plated
3	Current Carrier	Copper	Sn Plated
2	Screw	Steel	Zn Plated
1	Housing	PA66	UL94 V-0

REV	ECN	DESCRIPTION	DRFT	DATE